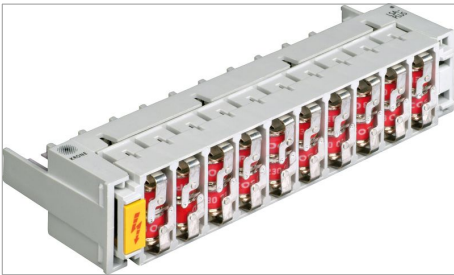


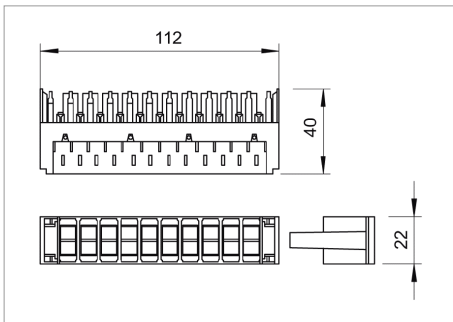
## Technical data sheet LSA-Plus technology/LSA basic protection



LSA-B-MAG: LSA basic protection magazine for use in multi-core data cable systems, MCR systems and telephone switchboards.

- Basic protection
- Fitted with 20 gas discharge protectors
- Max. voltage: 180 V

Application: Direct on LSA-Plus separation or connection bars

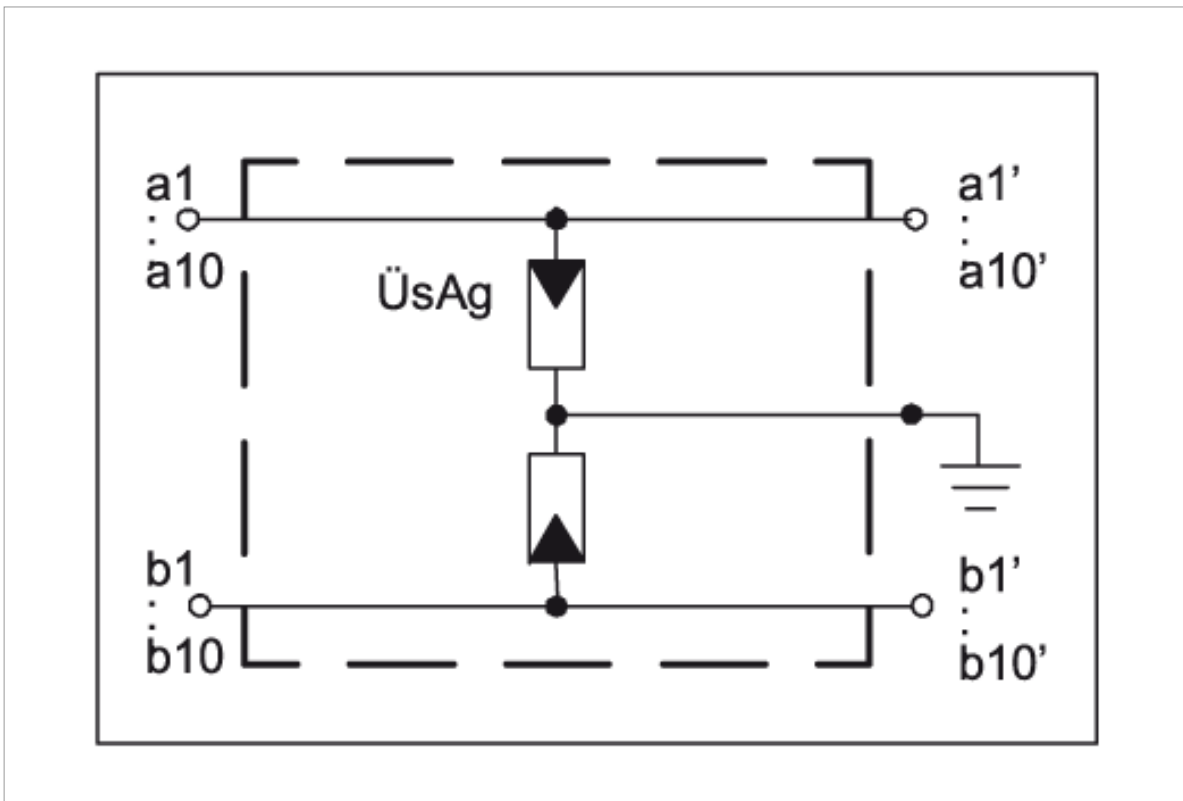


Type	Maximum continuous voltage V	Pack Units	Weight kg/100 pc.	Art.-No.
LSA-B-MAG	180	1	8.600	5084020

**G** /pc.



## Connection-/Circuit diagram



Article number			<b>5084020</b>
Maximum continuous voltage	$U_C$	V	180
LPZ			0?2
Lightning impulse current (10/350)	$I_{imp}$	kA	1
Nominal discharge surge current (8/20)	$I_n$	kA	5
Maximum discharge current	$I_{max}$	kA	10
Voltage protection level	$U_p$	kV	<0,700
Temperature range	?	°C	-40

## Legend



Transition from LPZ 0 to LPZ 2



Integrated Service Digital Network, ISDN applications



Digital Subscriber Line, DSL applications



Analogue telecommunication



Measuring, controlling and regulating systems



Communautés Européennes, EC declaration of conformity according to EC directives



Russia, GOST The State Committee for Standards



5-year warranty